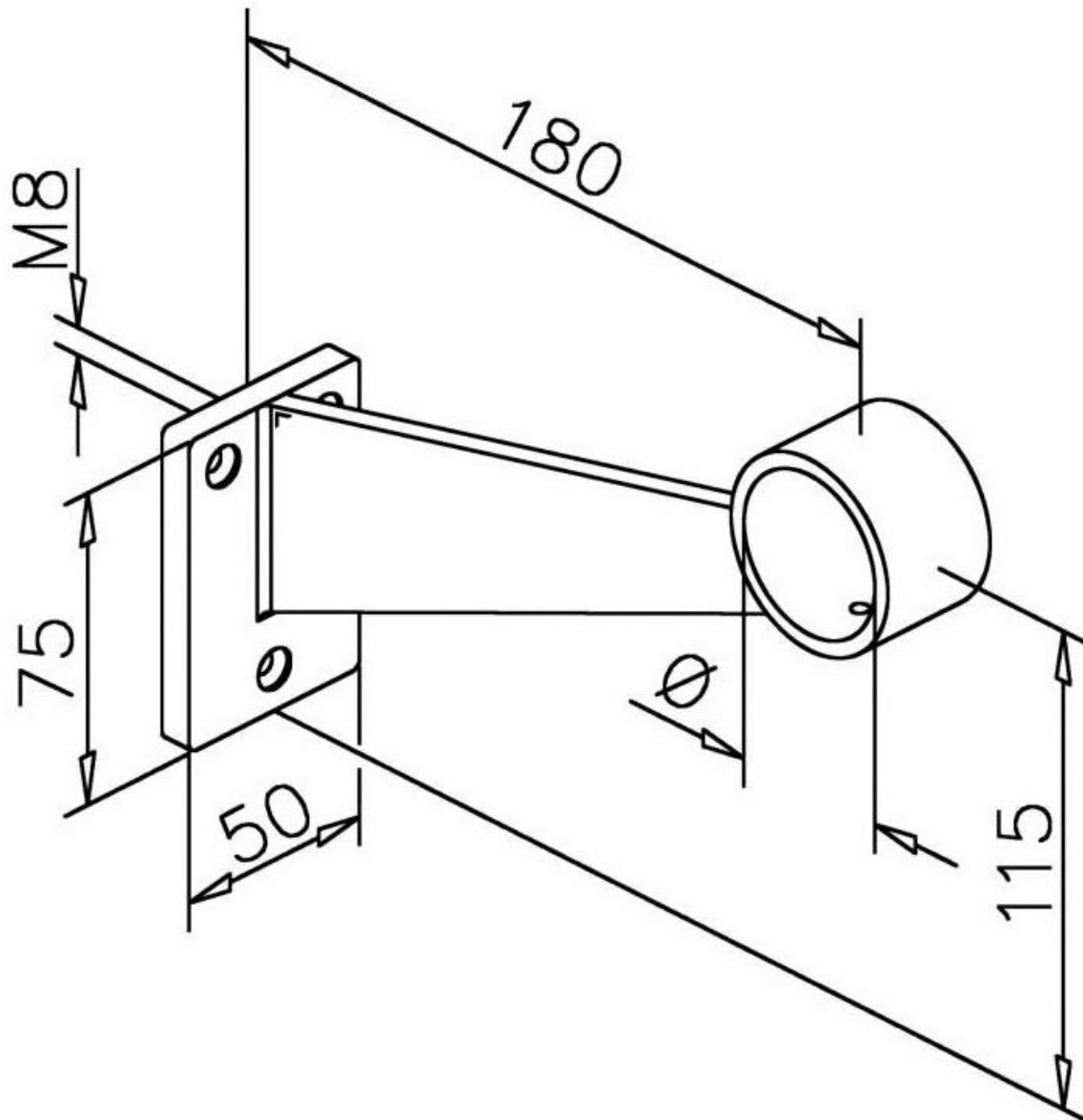


# SUPPORT REPOSE PIEDS HORIZONTAL

MB2



# SUPPORT REPOSE PIEDS HORIZONTAL

MB2

