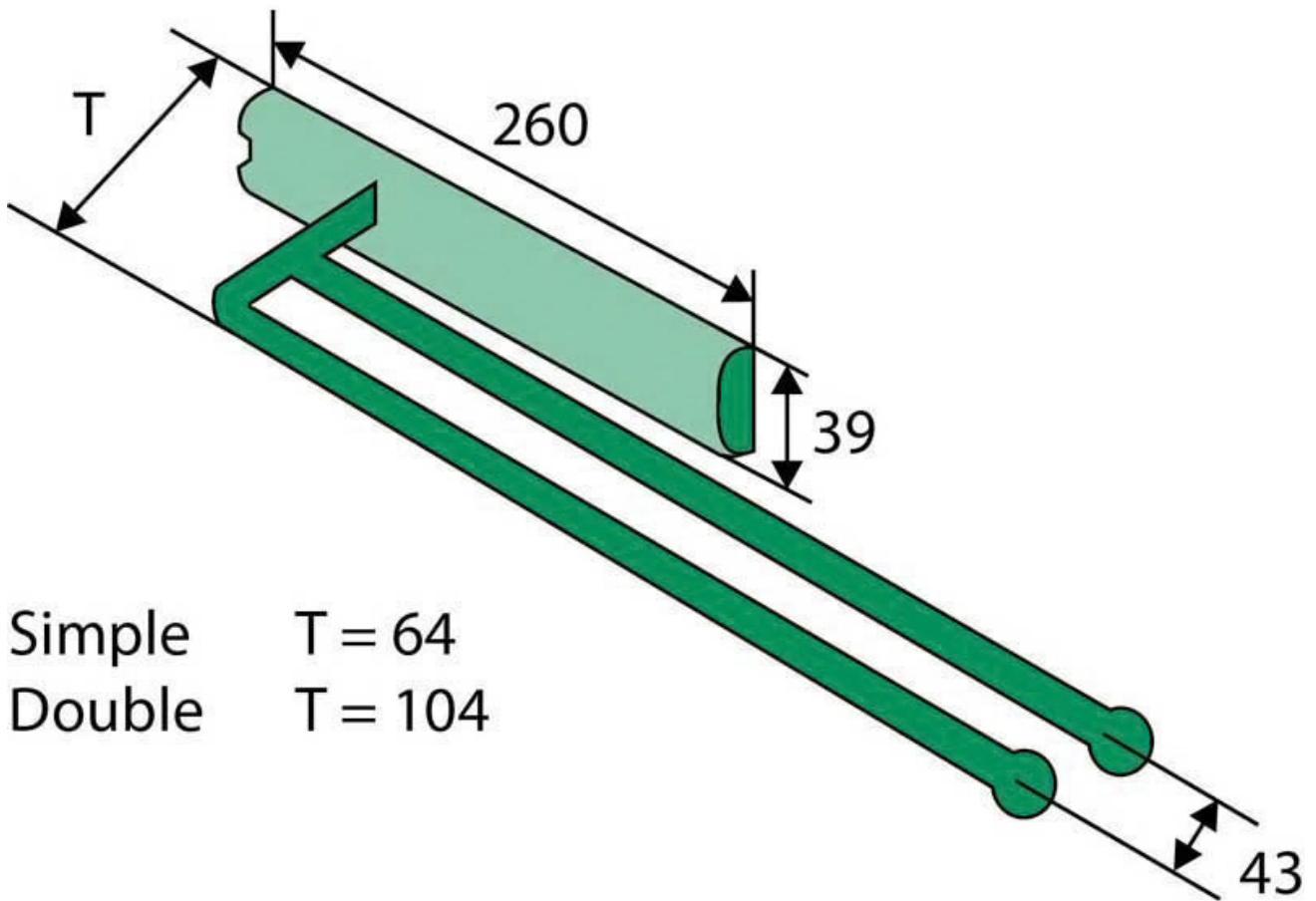


PORTE-TORCHONS COULISSANT

KESSEBOHMER



Simple $T = 64$
Double $T = 104$