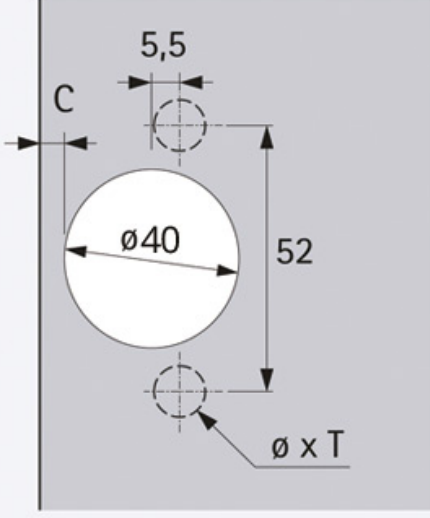


Montage du boîtier	Schéma de perçage
<p>à visser TH 22 / L</p>	 <p>The diagram illustrates the drilling specifications for the cabinet. It shows a main hole with a diameter of $\varnothing 40$. The center of this hole is offset by 5,5 mm from the left edge of the cabinet. A second hole, with a diameter of $\varnothing \times T$, is located 52 mm vertically below the center of the main hole. The distance from the left edge to the center of the second hole is labeled as 'C'.</p>